

Bitronics® D650 Master Display

The Bitronics D650 Master Display is designed to connect to substation IEDs to display measurement values resident in those IEDs. Following are the key features:

Key Features

- Connects to OrionLX/LXM, Bitronics transducer, or other IED via Ethernet or serial to display measurement values
- Full set of measurement values are supported, any measurement available in the Bitronics M650M3 meter using Bitronics standard scaling can be displayed.
- Supports Modbus RTU, DNP3 Serial or Modbus/DNP3 TCP Master protocol
- User can select registers/points in any desired sequence
- Option to use in serial display mode so one model can serve as Master or can be used to receive signals from Bitronics M87x or PPX II in existing installation

Specifications

Dimensions: 4.5" (w) x 4.5" (h) x 6.5"(d)

Weight: 1.8 lbs.

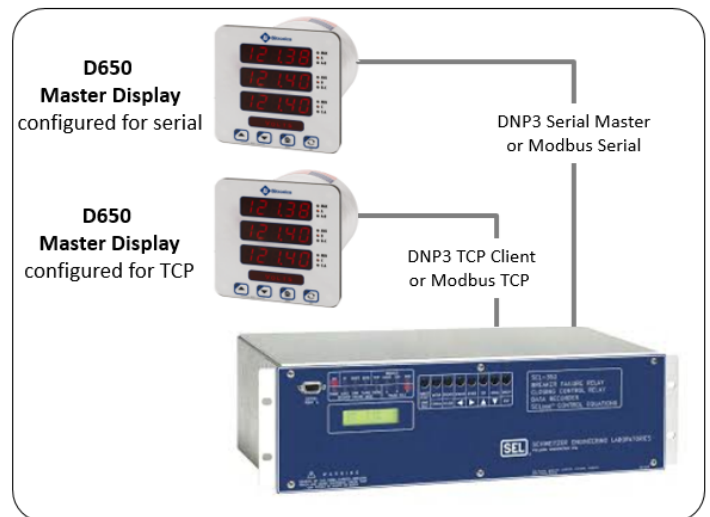
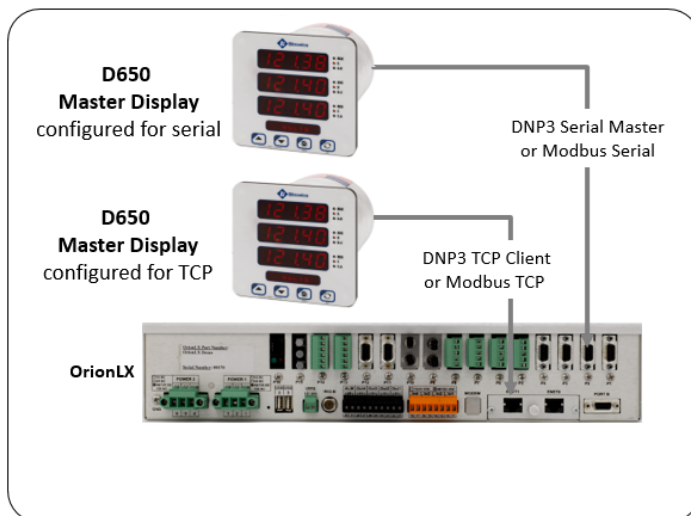
Power Supply: Universal 48-250V dc/55-240V ac nominal

Outputs:

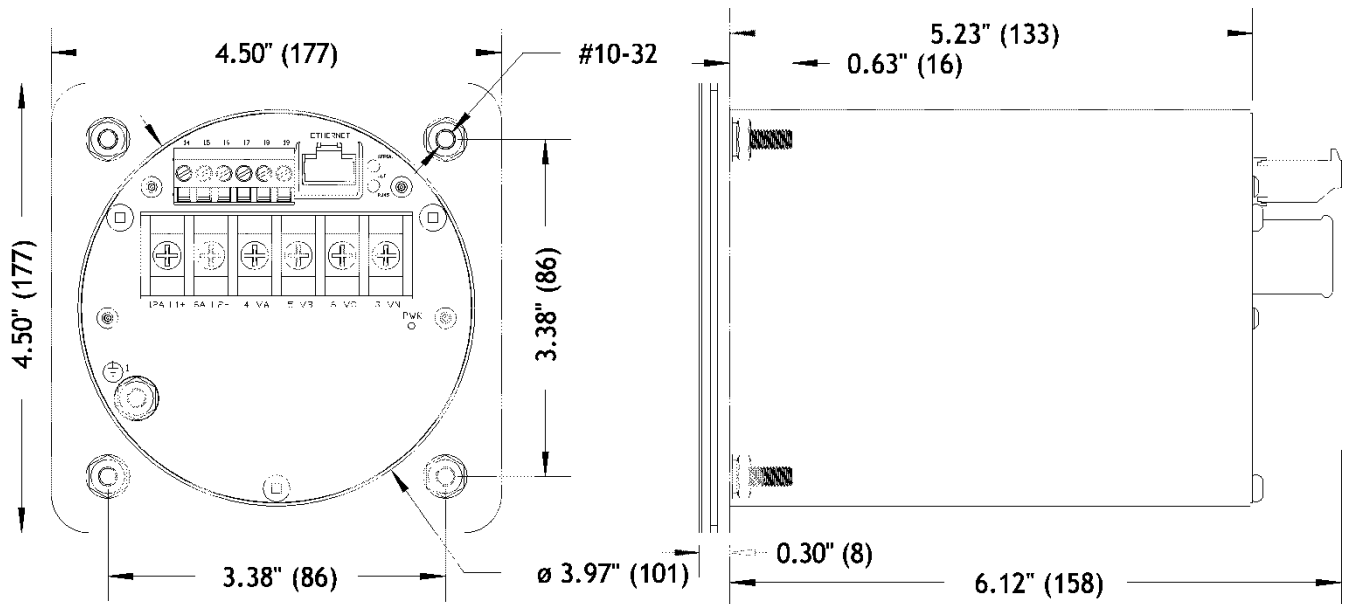
- Optional Configurable RS-232/RS-485 port , configurable from 9600bps to 115.2kbps
- Standard RJ45 10BaseT/100BaseTX port for service port functions, optional Modbus or DNP3 TCP/IP support

Environmental:

- Operating temperature range -40° to 70°C, storage temperature -40° to 85°C
- Humidity 0-95% non-condensing
- Surge withstand to ANSI/IEEE C37.90.1: 2002
- UL/CSA Recognized, File Number E164178, CE Marked



The D650 Connected to an OrionLX



D650 Master Display Dimensions



Home Settings Contact

Settings / Protocol

Modbus Register Configuration

Available	Selected
RMS Volts A	40002 RMS Amps A
RMS Volts B	40003 RMS Amps B
RMS Volts C	40004 RMS Amps C
Demand RMS Volts A	40018 RMS Amps Residual
Demand RMS Volts B	40045 Demand RMS Amps A
Demand RMS Volts C	40046 Demand RMS Amps B
Max Demand RMS Volts A	40047 Demand RMS Amps C
Max Demand RMS Volts B	40048 Max Demand RMS Amps A
Max Demand RMS Volts C	40049 Max Demand RMS Amps B
Min Demand RMS Volts A	40050 Max Demand RMS Amps C
Min Demand RMS Volts B	40051 Demand RMS Amps Residual
Min Demand RMS Volts C	40052 Max Demand RMS Amps Residual
RMS Volts AB	40101 Reset Demand Amps
RMS Volts BC	
RMS Volts CA	

Buttons: Select All >>, Filter: Volts, Reserved >>, <<, Clear, Use BILF16 List

Note: Settings are saved to IED upon clicking the "Apply" button on next page.

Cancel Next >



Home Settings Status Contact

INPUT



[Input](#)
[Protocol](#)
[Network](#)
[Serial Port](#)

OUTPUT



[Screen Enable](#)
[Custom Screens](#)
[Identity](#)

UTILITIES



[Load/Store Settings](#)
[Password Security](#)
[Firmware Upload](#)

Copyright © 2018 Bitronics, I

D650 Master Display Web-based Configuration



novatechweb.com



Copyright © 2019 NovaTech, LLC. All rights reserved. All brand and product names mentioned in this document are trademarks of their respective owners. NovaTech and Bitronics are registered trademarks of NovaTech, LLC. The information in this literature is subject to change without notice and is not to be construed as a warranty. DS_BID650Master_011119