

**Measurements:** Volts, Amps, Power (real, reactive, apparent), Power Factor, K-factor, harmonics (individual, odd, even, TDD, THD), demands, energy, frequency, unbalance, impedance, sequence components and phase angle. Includes many per-phase & total parameters, for over 2000 measurements.

**Local Indication:** Optional detached display M570DA or M870D

**Serial Ports & Protocols:** One RS-232 RJ11 and two configurable RS-232/RS-485 ports. Modbus, DNP3, and ZMODEM protocols supported simultaneously.

**Current Inputs:** Three inputs. Selectable CT ratios. Three signal input ranges available: 100A Max is 5 A nominal with the standard internal CTs as well as an option for split-core external CTs, and 20 A Max is 1A to 5A nominal.

**Voltage Inputs:** Eight inputs, measures two buses. Field selectable scaling of PT ratios. Nominal 120V ac up to 600 V peak to ground.

**Auxiliary Power:** Wide-range universal power supply, VD13, nominal 24-250V dc/69-240V ac.

**Optional Ethernet & Protocols:** 10BaseT/100BaseTX RJ45 port (E1), or with added 10Mb (10BaseFL – E2) or 100Mb (100BaseFX – E3) fiber optic port. UCA2, DNP3 TCP/IP, DNP3 UDP, MODBUS TCP/IP, telnet, and FTP protocols supported simultaneously.

**Optional Digital I/O:** D4 has four inputs (0-150V dc range) and four outputs.

**Optional IRIG-B and Transducer Input:** IR1 is IRIG-B input via BNC connector that accepts both modulated and demodulated signals. IR1 with TI4 provides additional four transducer inputs in 0-1mA, 4-20mA or 0-10V dc ranges.

**UL/CE Certification:** UL/CSA recognized and CE marked. M571 with signal input option S5C is excluded from certification.

**Mechanical:** 8.5" (216mm) W x 5.2" (132mm) H x 5.9" (150mm) D for 20A version, 11.5" (292mm) W x 5.2" (132mm) H x 5.9" (150mm) D for 100A version.

## M571 Compact IED

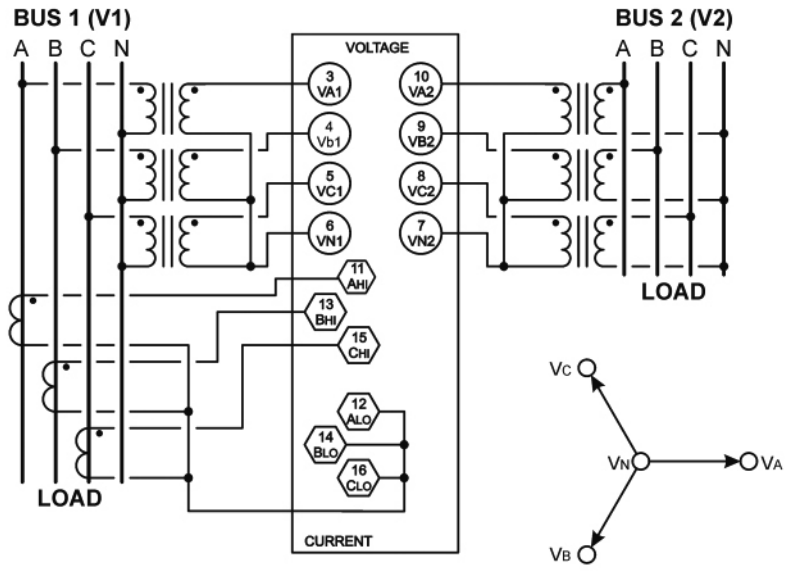
Order Number = Base Model + 8 Option Codes		
Base Model	M571	
Optional Functions	Price Adder	Option Codes
<b>Auxiliary Power</b>		
VD13 Universal	NO	2
<b>Digital I/O</b>		
None	NO	0
D4 4 Input/4 Output	YES	1
<b>Ethernet</b>		
None	NO	0
E1 Ethernet	YES	1
E2 Ethernet *	YES	2
E3 Ethernet	YES	3
<b>Flash Memory</b>		
1MB	NO	0
256MB	YES	2
512MB	YES	4
<b>Transducer and IRIG-B</b>		
None	NO	0
IR1 IRIG-B with BNC	YES	1
IR1-TI4w IRIG-B with 0-1mA input	YES	2
IR1-TI4v IRIG-B with 4-20mA input	YES	3
IR1-TI4u IRIG-B with 0-10V dc input	YES	4
<b>Option Position 5-6</b>		
Future	NO	0
<b>Signal Input</b>		
S51 UL 20A Max	NO	1
S50 UL 100A Max	YES	2
S5C 100A Max External CTs	YES	C
<b>Firmware revision</b>		
Latest Available	NO	X

Build order number by selecting base model (M571) and adding one option code from each category (must select 0 for each of 2 future positions). The minimum selection is M5712000001X. \* E2 option not available when the S5C split-core option is selected.

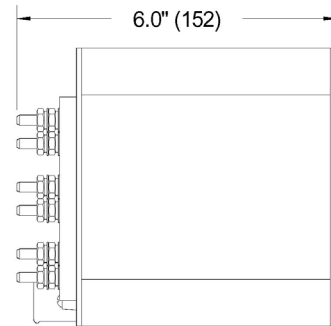
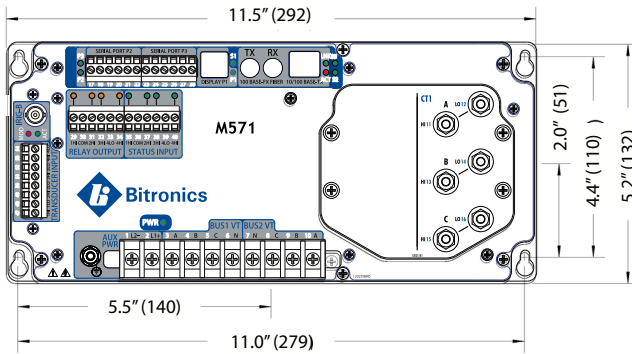
Optional Accessory for Mounting Split-Core CT		
Optional Feature	Price Adder	Option Codes
End Mount	YES	BRKTMX5XCTEND
Side Mount	YES	BRKTMX5XCTSIDE



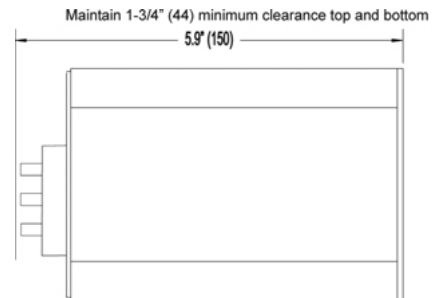
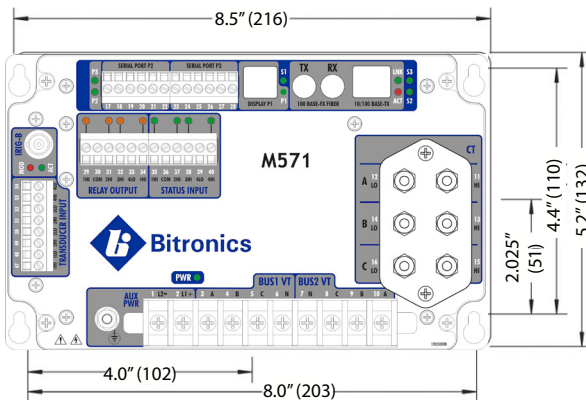
**Bitronics® 70 Series**  
M57x Family



Typical Wiring Diagram - refer to M57x User manual for other diagrams



Overall Dimensions for M571 with 100A internal CT



Overall Dimensions for M571 with 20A CT or 100A split-core CT

Copyright © 2012 NovaTech, LLC. All rights reserved. All brand and product names mentioned in this document are trademarks of their respective owners. NovaTech is a registered trademark of NovaTech, LLC. The information in this literature is subject to change without notice and is not to be construed as a warranty. OG\_Bi206A\_M571ModRecIED\_062212

**Contact:**

NovaTech, LLC  
Bitronics Measurement and Recording  
261 Brodhead Road  
Bethlehem, PA 18017

T: 610.997.5100  
F: 610.997.5450  
E: [bitronics@novatechweb.com](mailto:bitronics@novatechweb.com)  
[www.novatechweb.com](http://www.novatechweb.com)