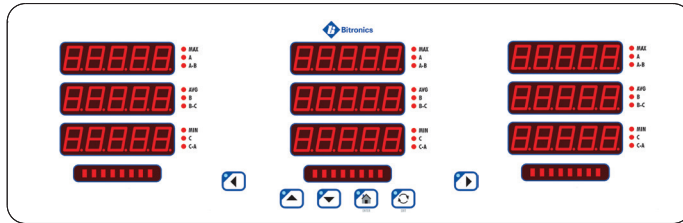




M653 Multifunction Three Display Meter Family



Measurement: Volts, Amps, Amps Demand/Max, Power (real, reactive, apparent), Power Factor, Energy and Frequency (all models). Volts Average/Min/Max, Power Average/Min/Max (real, reactive, apparent), Displacement Power Factor and K-Factor (M3 only). Includes many per-phase & total parameters.

Local Indication: Display over 100 electric parameters in over 30 pre-configured screens with up to three display values per screen for each of three meter displays. All three values of 3-phase parameters are simultaneously displayed on all three displays. Includes automatic display of engineering units in separate display.

Port 1: Optional configurable RS-232/RS-485 serial port or 0-1mA or 4-20mA transducer output (3). All parameters available in network-accessible registers/points.

Port 2: Standard RJ45 10BaseT/100BaseTX Ethernet port that can optionally support Modbus or DNP3 TCP/IP. Optional LC 100BaseFX fiber Ethernet port replaces RJ45 port.

Protocols: Modbus or DNP3 field selectable for optional serial and/or Ethernet port.

Display Modes: Fixed, Scroll, and Fast Forward. Enable/Disable displayable screens via front screen set-up with all network register parameters always available.

Current Inputs: Scaling is field selectable to display primary-side values when connected to CTs. Any custom ratios can be written. Field selectable elements. Optional external split core CTs (three) that replace conventional internal CTs are available.

Voltage Inputs: Scaling is field selectable to display primary-side values when connected to PTs. Any custom ratios can be written. Field selectable elements. Frequency range 45-65Hz.

Auxiliary Power Supply: A universal power supply 48 - 250V dc/55 - 240V ac nominal. An option exists to have the power supply voltage input value monitored and provided as a measurement point for display and/or SCADA output.

Mechanical: Three x Three 5-digit, long life, red LED displays, 0.56" high with one 8-character red LED alphanumeric display. All three displays have a 4.5" sq. faceplate. Center meter is 6.5" deep. Mounting options are a rack mount 3U (5.25") high x 19" wide aluminum panel, or a 14" wide panel mount with rear mounting studs.

Order Number = Base Model + 4 Option Codes

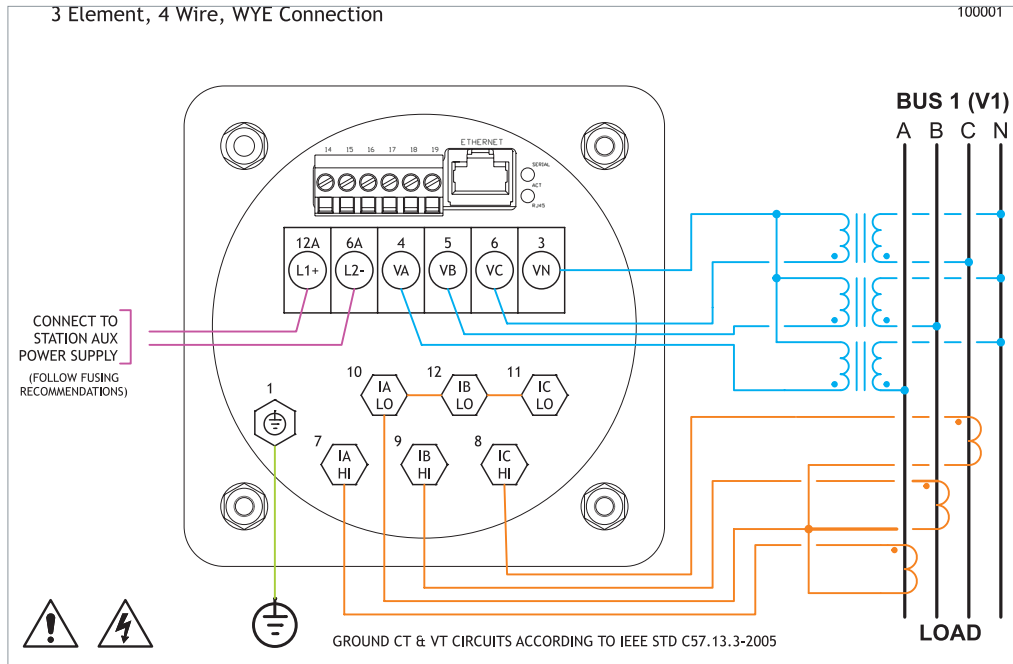
Select Base Model	
Meter type:	Base Model
Multifunction Standard 3-Phase, Alphanumeric	M653B3
Multifunction Advanced 3-Phase, Alphanumeric	M653M3

Select Option Codes		
Optional Features	Price Adder	Option Codes
Power Supply		
48-250V dc/55-240V ac	NO	U
48-250V dc/55-240 ac with monitoring (M3 only)	YES	P
Signal Input Range		
120V ac, 0-1 Amps	NO	1
120V ac, 0-5 Amps	NO	5
120V ac, 0-5 Amps Split Core CT (3)	YES	C
Port 1		
None (N/A with Signal Input Range Option C)	NO	0
Serial (Programmable RS-232/485)	YES	1
Transducer (Three 4-20mA passive)	YES	2
Transducer (Three 0-1mA active)	YES	3
Port 2		
Service Only RJ45	NO	0
Ethernet RJ45 10/100Mb, protocols enabled	YES	1
Fiber Ethernet LC 100Mb, protocols enabled (N/A with Signal Input Range Option C)	YES	2
Mounting Option		
14" Panel Mount	NO	0P
19" Rack Mount	NO	0R

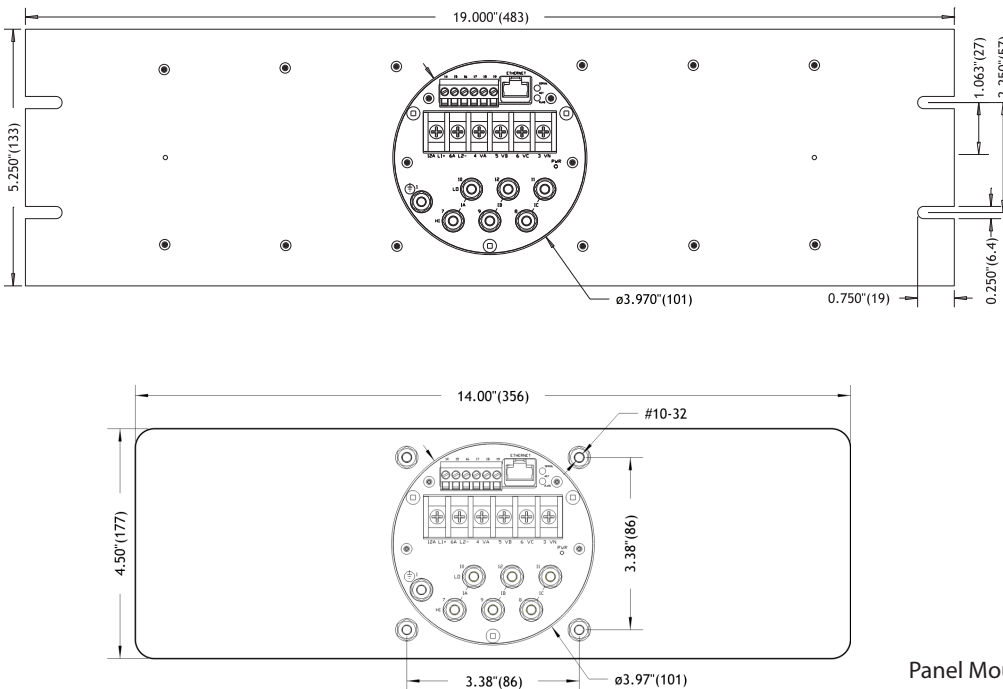
Build order number by choosing base model number and then one new option code selection for each option type. An example: M653M3U5100R

Note: Default ratios (5:5 CT and 1:1 PT) will be provided.

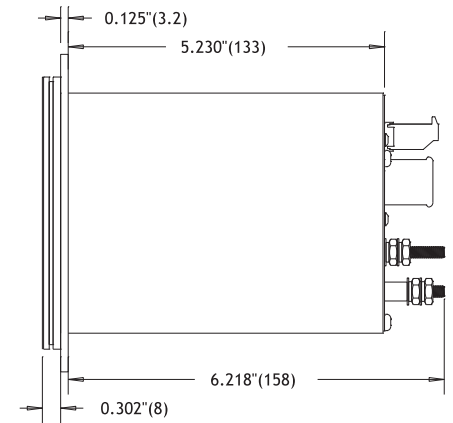
Optional Accessory for Mounting Split-Core CT		
Optional Feature	Price Adder	Option Codes
End Mount	YES	BRKTMX5XCTEND
Side Mount	YES	BRKTMX5XCTSIDE



Connections to M653 meters are simple and each M653 meter can accommodate all wiring configurations. Shown above is the 3 Element, 4 Wire Wye configuration (see M653 User Manual for other configurations).



Rack Mount Version



Panel Mount Version

Copyright © 2012 NovaTech, LLC. All rights reserved. All brand and product names mentioned in this document are trademarks of their respective owners. NovaTech is a registered trademark of NovaTech, LLC. The information in this literature is subject to change without notice and is not to be construed as a warranty. OG_Bi213A_M653Meter_061312

Contact:

NovaTech, LLC
Bitronics Measurement and Recording
261 Brodhead Road
Bethlehem, PA 18017

T: 610.997.5100
F: 610.997.5450
E: bitronics@novatechweb.com
www.novatechweb.com