

Order Number = Base Model + 8 Option Codes		
Base Model		M871
Optional Functions	Price Adder	Option Codes
Auxiliary Power		
V10 Universal	NO	2
Option Slots 1-3		
C00 Blank Cover	NO	0
Open for P31 in next slot	NO	Y
P20 Modbus Plus	YES	4
P30A 8 DIO Low Range	YES	6
P30A 8 DIO High Range	YES	8
P31 16 DIO Low Range	YES	7
P31 16 DIO High Range	YES	9
P40 8 input 0-1 mA	YES	W
P40 8 input 4-20 mA	YES	V
P40 8 input 0-10 V dc	YES	U
P10 Ethernet	YES	1
P11 Ethernet	YES	2
P12 Ethernet	YES	3
Host/Memory		
H11 with 1MB	NO	2
H11 with 256MB	YES	4
H11 with 512MB	YES	6
Analog Processor		
A10	NO	1
Signal Input		
S10 UL 100 A Max	NO	1
S11 UL 20 A Max	NO	2
S12 UL 4 A Max	NO	3
S10 CE/UL 100 A Max	NO	4
S11 CE/UL 20 A Max	NO	5
S12 CE/UL 4 A Max	NO	6
Firmware Revision		
Latest Available	NO	X



M871 Modular IED Short Chassis

Measurements: Volts, Amps, Power (real, reactive, apparent), Power Factor, K-factor, harmonics (individual, odd, even, TDD, THD), demands, energy, frequency, unbalance, impedance, sequence components and phase angle. Includes many per-phase & total parameters, for over 2000 measurements.

Local Indication: Optional detached display M870D

Serial Ports & Protocols: One RS-232 DB9 and three Configurable RS-232/RS-485 ports. Modbus, DNP3, and ZMODEM protocols supported simultaneously.

Current Inputs: Four inputs. Selectable CT ratios. Three signal input ranges available: 100A max is 5A nominal, 20A max is 1A or 5A nominal, or 4A max is 1A nominal.

Voltage Inputs: Eight inputs, measures two buses. Field selectable scaling of PT ratios. Nominal 120 V ac up to 600 V peak to ground.

Auxiliary Inputs: Two additional voltage inputs suitable for measuring AC or DC. Nominal 125V dc/120V ac up to 600V peak to ground.

Auxiliary Power: Wide-range universal power supply, V10, nominal 24-250V dc/69-240V ac.

Optional Modbus Plus: Modbus Plus protocol supported via optional P20 Modbus Plus module.

Optional Ethernet & Protocols: 10BaseT/100BaseTX RJ45 port (P10), or with added 10Mb (10BaseFL – P11) or 100Mb (100BaseFX – P12) fiber optic port. UCA2, DNP3 TCP/IP, DNP3 UDP, MODBUS TCP/IP, telnet, and FTP protocols supported simultaneously.

Optional Digital I/O: Four options are available for digital inputs and outputs. P30A has a total of eight IO and P31 has a total of 16 IO. On both, four of the inputs can be used as either inputs or outputs. Either can be supplied in low range (100V dc max) or high range (300 V dc – default setting). The P31 requires two module slots.

Optional Transducer Input: Three ranges of the eight input P40 transducer input module are available; 0-1mA, 4-20mA, and 0-10V dc.

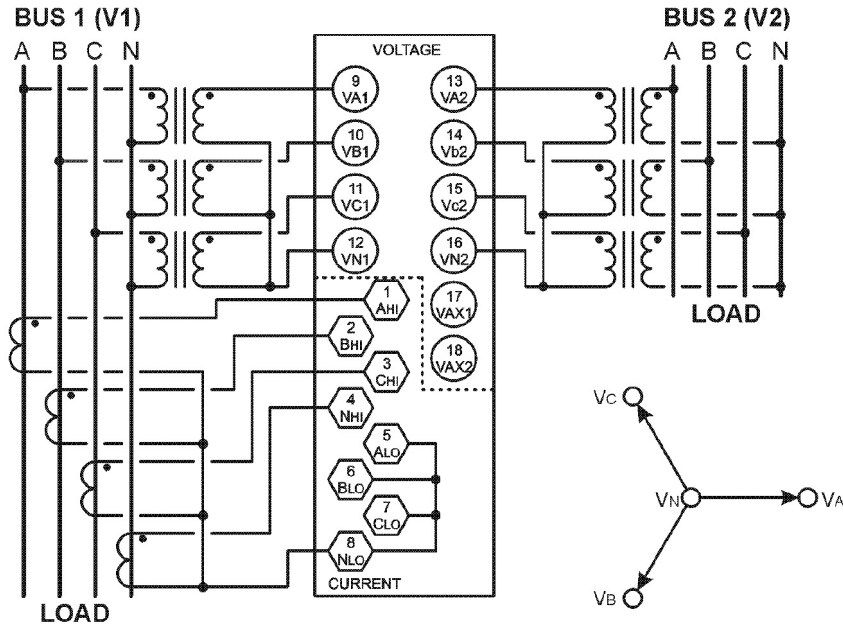
UL/CE Certification: UL/CSA recognized and CE marked (not including P40).

Mechanical: 8.5" (216mm) W x 5.2" (132mm) H x 8.8" (224mm) D

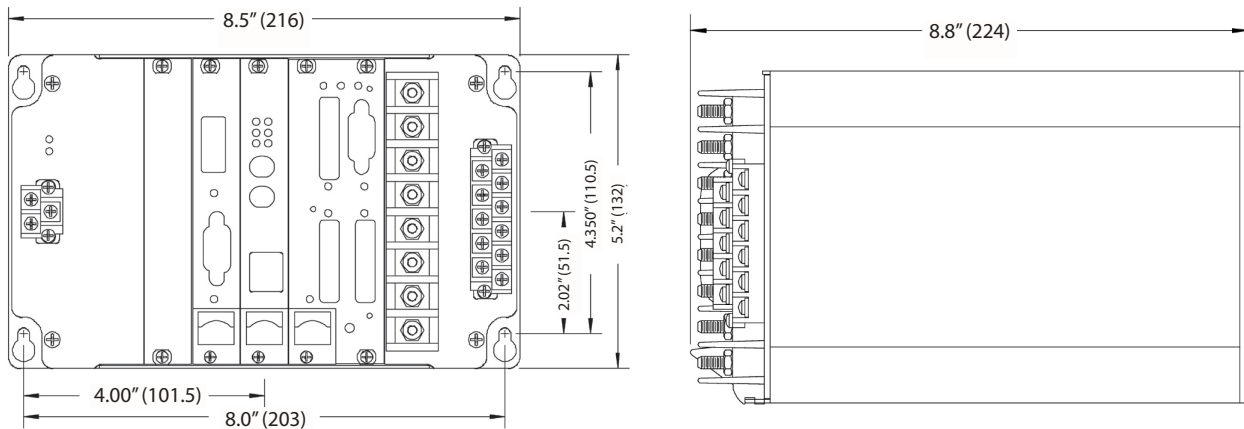
Build order number by selecting base model (871) and adding one option code from each category. A section for each option slot must be made. The minimum selection is M8712000211X or M8712000214X. An example with P31, P10, and 256Mb is M8712Y91411X. Note that only 1 P20, P31, P10, P11, or P12 per unit can be selected, P20 in slot 1 only, P31 in slots 2 or 3, and P10, P11, or P12 in slot 3 only.



3 Element, 4 Wire, WYE Connection with Neutral CT



Typical Wiring Diagram - refer to M87x User Manual for other diagrams



Overall Dimensions - maintain 1.75" (44mm) minimum clearance top and bottom

Contact: