

Measurement: Volts, Amps, Amps Demand/Max, Power (real, reactive, apparent), Power Factor, Energy and Frequency (all models). Volts Average/Min/Max, Power Average/Min/Max (real, reactive, apparent), Displacement Power Factor and K-Factor (M3 only). Includes many per-phase & total parameters.

Port 1: Optional configurable RS-232/RS-485 serial port or 0-1mA or 4-20mA transducer output (3). All parameters available in network-accessible registers/points.

Port 2: Standard RJ45 10BaseT/100BaseTX Ethernet port that can optionally support Modbus or DNP3 TCP/IP. Optional MT-RJ 100BaseFX fiber Ethernet port replaces RJ45 port.

Protocols: Modbus or DNP3 field selectable for optional serial and/or Ethernet port.

Current Inputs: Scaling is field selectable to display primary-side values when connected to CTs. Any custom ratios can be written. Field selectable elements. Optional external split core CTs (three) that replace conventional internal CTs are available.

Voltage Inputs: Scaling is field selectable to display primary-side values when connected to PTs. Any custom ratios can be written. Field selectable elements. Frequency range 45-65Hz.

Auxiliary Power Supply: A universal power supply 48 - 250V dc/55 - 240V ac nominal. An option exists to have the power supply voltage input value monitored and provided as a measurement point for display and/or SCADA output.

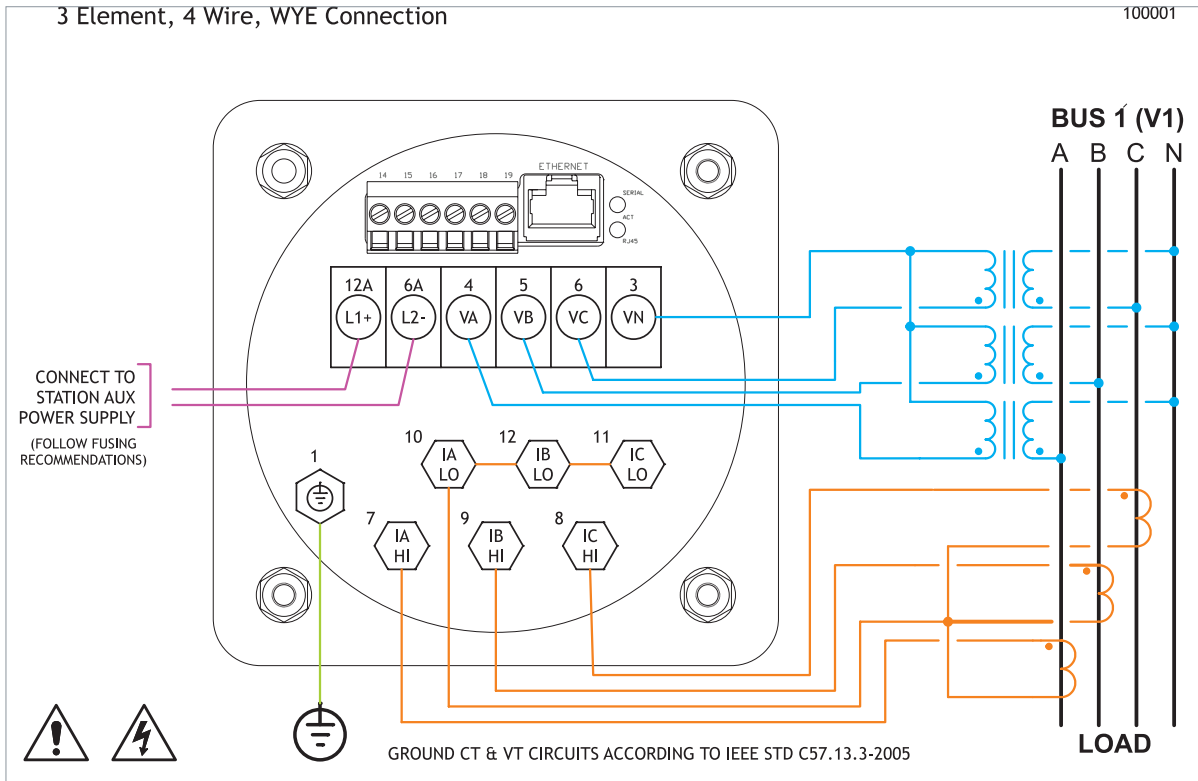
Mechanical: 4" round x 6.4" deep case. 4" high x 5.25" wide mounting plate.

M651 Multifunction Transducer Family

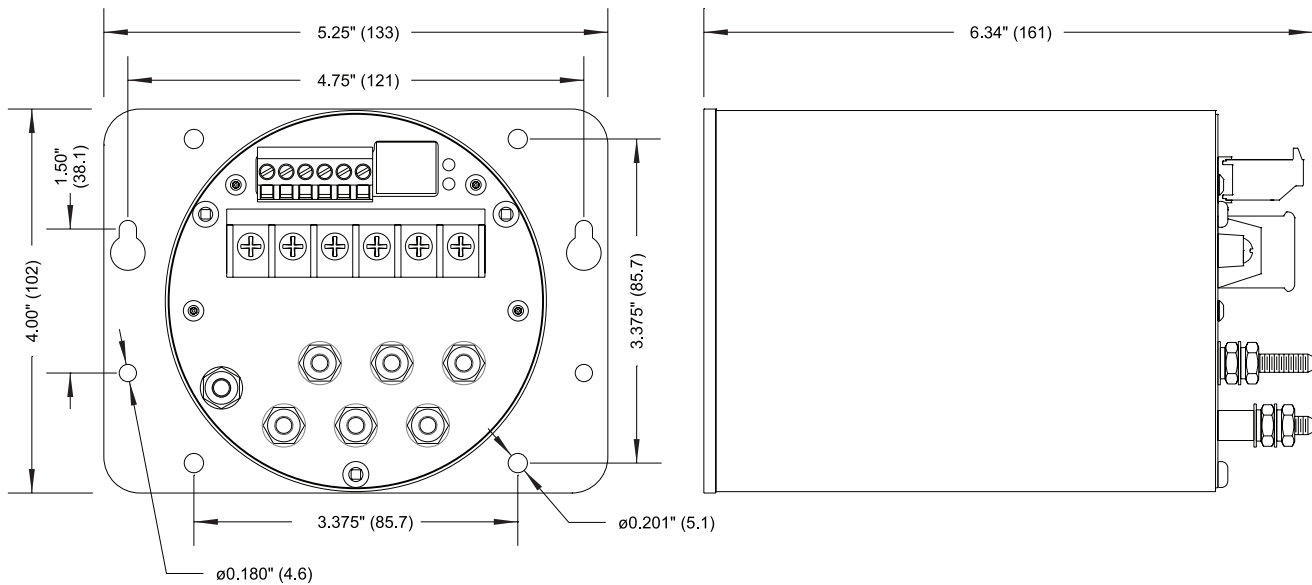
Order Number = Base Model + 4 Option Codes		
Select Base Model		
Transducer type:	Base Model	
Multifunction Standard 3-Phase	M651B3	
Multifunction Advanced 3-Phase	M651M3	
Select Option Codes		
Optional Features	Price Adder	Option Codes
Power Supply		
48-250V dc/55-240V ac	NO	U
48-250V dc/55-240 ac with monitoring (M3 only)	YES	P
Signal Input Range		
120V ac, 0-1 Amps	NO	1
120V ac, 0-5 Amps	NO	5
120V ac, 0-5 Amps Split Core CT (3)	YES	C
Port 1		
None (N/A with Signal Input Range Option C)	NO	0
Serial (Programmable RS-232/RS-485)	YES	1
Transducer (Three 4-20mA passive)	YES	2
Transducer (Three 0-1mA active)	YES	3
Port 2		
Service Only RJ45	NO	0
Ethernet RJ45 10/100Mb, protocols enabled	YES	1
Fiber Ethernet MT-RJ 100Mb, protocols enabled (N/A with Signal Input Range Option C)	YES	2

Build order number by choosing base model number and then one new option code selection for each option type. An example: M651M3U510

Note: Default ratios (5:5 CT and 1:1 PT) will be provided.



Connections to M651 transducers are simple and each M651 transducer can accommodate all wiring configurations. Shown above is the 3 Element, 4 Wire Wye configuration (see M651 User Manual for other configurations).



Contact:

NovaTech, LLC
 Bitronics Measurement and Recording
 261 Brodhead Road
 Bethlehem, PA 18017

T: 610.997.5100
 F: 610.997.5450
 E: bitronics@novatechweb.com
 www.novatechweb.com