

Modbus Plus Port

RS-485 Port

**Measurement:** Volts, Amps, Power (real, reactive, apparent), Power Factor, Energy, and Frequency. Includes many per-phase & total parameters.

**Serial Port:** Five network-connection options. All parameters available in network-accessible registers.

**Element Switch:** Element-switch is field selectable for complete range of 3-Wire and 4-Wire systems within one instrument. (See Table.)

**Current Inputs:** Full transformer isolation. (See Table.)

**Voltage Inputs:** Full transformer isolation. (See Table.)

**Energy Scaling:** Scaling for primary-side energy values when connected to PTs and CTs is provided through CT and PT ratios written into registers over the network.

**Certification:** Meets IEC1010 standards and is certified by Underwriters Laboratory to meet UL and CSA standards.

**Auxiliary Power Supply:** Three power supply options. Includes a universal power supply option which operates from either an ac or dc power source.

**Mechanical:** 5.3" x 5.3" Base x 5.6" high metal case.

Quantity and Type of Inputs Selection Table			
Electric System	3-Wire		4-Wire
	Element Switch	2	2½
Current Inputs	2 or 3	3	3
Voltage Inputs	2 (L-L)	2 (L-N)	3 (L-N)

*Note: Specify CT and/or PT ratio if want preset at factory otherwise default (5:5 for CT and 1:1 for PT) will be provided.*

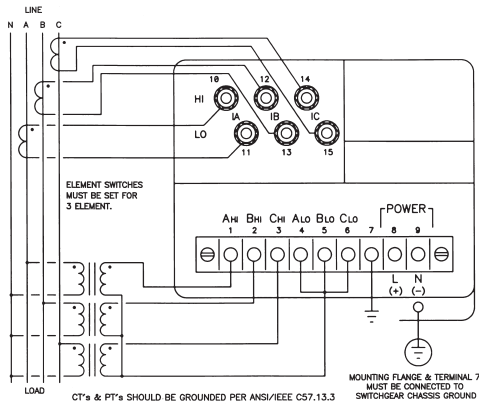
RT with DNP3, Modbus, or Modbus Plus

Order Number = Base Model + 6 Option Codes

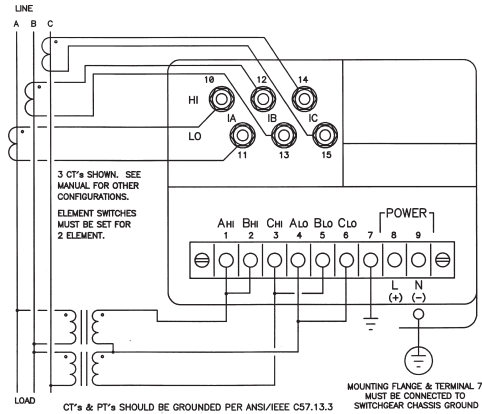
Select Base Model	
AC Connection	Base Model
Selectable	MTWIN3B

Select New Option Codes			
Optional Functions	Price Adder	Old Option Codes	New Option Codes
<b>Auxiliary Power</b>			
115 V ac	NO	-VA5	0
230 V ac	NO	-VA3	1
24-250 V dc/115 V ac	YES	-VD10	2
<b>Network Connections</b>			
Modbus Plus	YES	-S500	0
Modbus RTU w/RS-232	NO	-S510	1
Modbus RTU w/RS-485	NO	-S520	A
DNP3 w/RS-232	NO	-S530	B
DNP3 w/RS-485	NO	-S540	C
<b>Current &amp; Voltage Inputs</b>			
0-5 A ac and 120 V ac	NO	-X-X	0
0-1 A ac and 120 V ac	NO	-CI1-X	1
<b>Display</b>			
None	NO	N/A	0
<b>Aluminum Faceplate</b>			
None	NO	N/A	0
<b>Frequency</b>			
60 Hz	NO	-X	00
50 Hz	NO	-F5	10

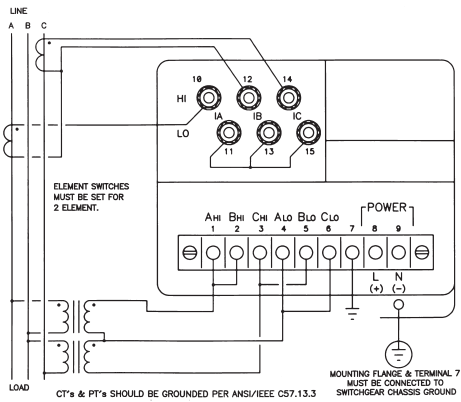
*Build order number by choosing base model number and then one new option code selections for each option type. An example: MTWIN3B2C000000.*



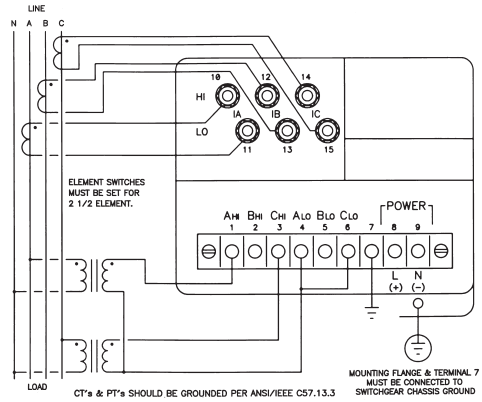
Typical connection diagram for 3-Element mode MTWIN3B PowerPlex (Common PT return shown).



Typical connection diagram for 2-Element mode MTWIN3B PowerPlex with 3 CT's.

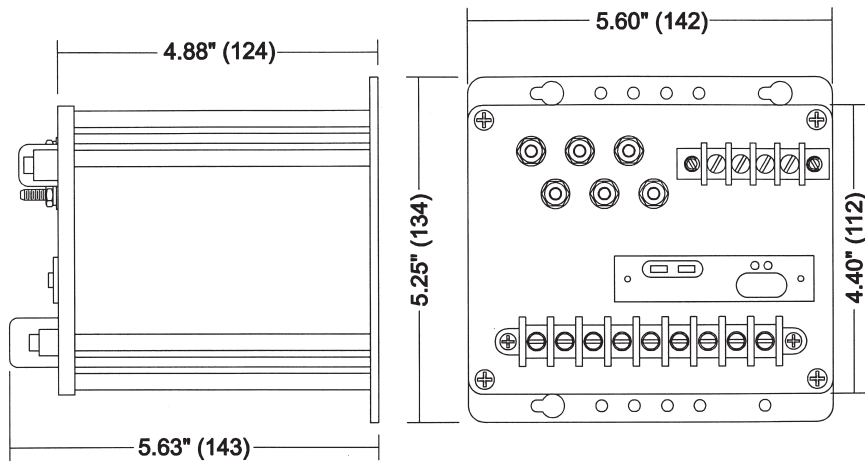


Typical connection diagram for 2-Element mode MTWIN3B PowerPlex when only two CT's are available (Common PT return shown)



Typical connection diagram for 2 1/2-Element mode MTWIN3B PowerPlex (Common PT return shown)

RS-232/485 Port shown.  
Same dimensions for  
Modbus Plus Port.



**Contact:**

NovaTech, LLC  
Bitronics Measurement and Recording  
261 Brodhead Road  
Bethlehem, PA 18017

T: 610.997.5100  
F: 610.997.5450  
E: [bitronics@novatechweb.com](mailto:bitronics@novatechweb.com)  
[www.novatechweb.com](http://www.novatechweb.com)