

Measurement and Local Display: True RMS Volts for two independent channels displayed simultaneously.

Voltage Inputs: Two inputs, transformer isolated. Scaling is independent for each channel and is field selectable from built-in PT ratio library to display primary-side values when connected to PTs.

UL Certification: Meets IEC Standard 1010 and is certified by Underwriters Laboratory to meet UL and CSA standards. Requires either of the two ac-only power supply options and 120V ac voltage input.

Auxiliary Power: Three power supply options including a universal power supply option which operates from either ac or dc power source.

Transducer Output Option: Two output options, either option provides two output channels, with each output representing one channel of the true RMS Voltage measurement.

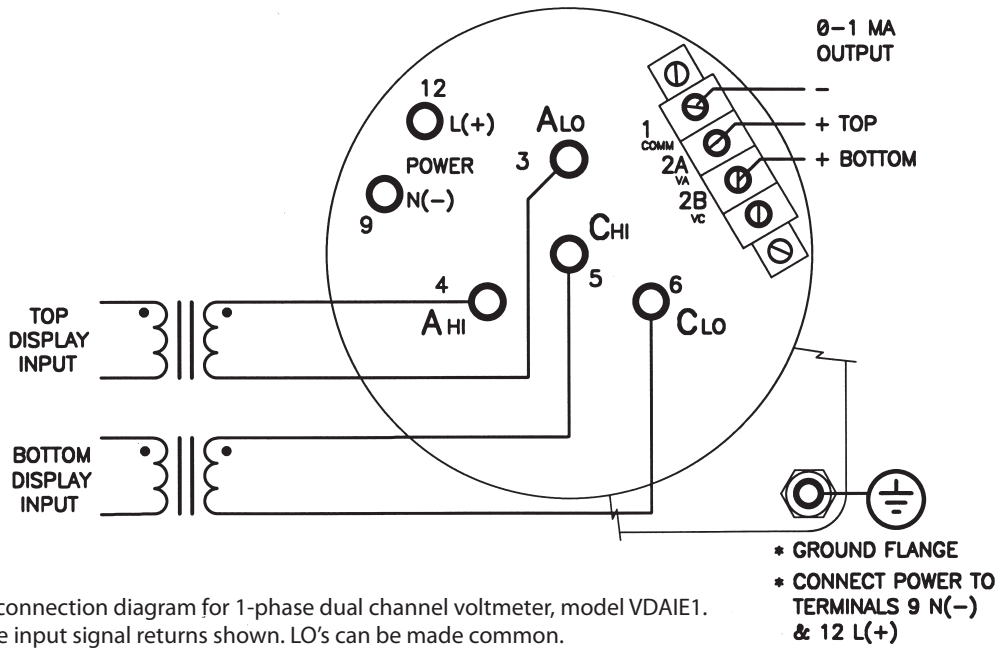
Mechanical: Two 4-digit, long life, red LED display, 0.56" high. Four inch round, 6.1" max. depth metal case with 4.5" Sq. Faceplate.

Note: Specify PT ratio if want preset at factory otherwise default (1:1) will be provided.

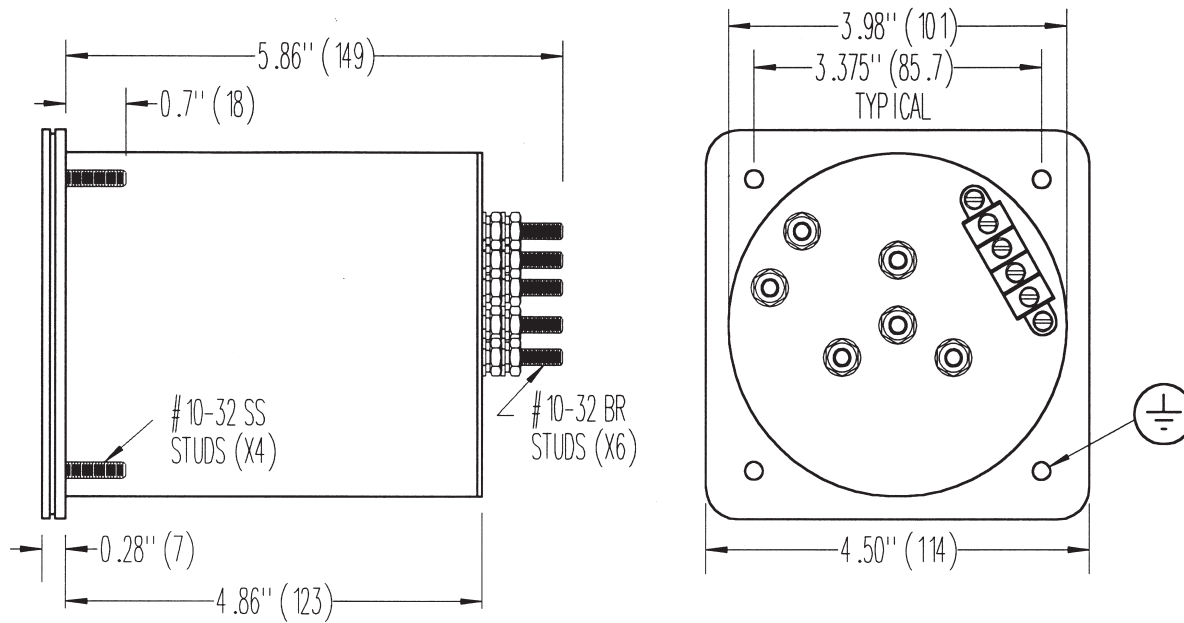
Dual Channel Voltmeter

Order Number = Base Model + 6 Option Codes			
Select Base Model			
AC Connection	Base Model		
Two Voltage Inputs	VDAIE1		
Select New Option			
Optional Functions	Price Adder	Old Option Codes	New Option Codes
Auxiliary Power			
115V ac (UL certified)	NO	-X	0
230V ac (UL certified)	NO	-VA1	1
24-250V dc/115 V ac	YES	-VD4A	2
Transducer Output			
None	NO	-X	0
0-1mA, dc, active	YES	-C02	1
4-20mA dc, passive	YES	-C12	2
Voltage Inputs			
0-120 V ac nominal	NO	-X	0
Display			
Standard LED	NO	N/A	0
Aluminum Faceplate			
Clear KVOLTS/BUS/GEN	NO	-FP007	07
Black KVOLTS/BUS/GEN	YES	-FP007B	G7
Clear VOLTS/BUS/GEN	NO	-FP008	08
Black VOLTS/BUS/GEN	YES	-FP008B	G8
Frequency			
60 Hz	NO	-X	00
50 Hz	NO	-F5	10

Build order number by choosing base model number and then one new option code selection for each option type.
 An example: VDAIE12000G700.



Typical connection diagram for 1-phase dual channel voltmeter, model VDAIE1. Separate input signal returns shown. LO's can be made common.



Overall Dimensions

Copyright © 2010 NovaTech, LLC. All rights reserved. All brand and product names mentioned in this document are trademarks of their respective owners. NovaTech is a registered trademark of NovaTech, LLC. The information in this literature is subject to change without notice and is not to be construed as a warranty. OG_Bi134C_TP&VoltMeter_111010

Contact:

NovaTech, LLC
Bitronics Measurement and Recording
261 Brodhead Road
Bethlehem, PA 18017

T: 610.997.5100
F: 610.997.5450
E: bitronics@novatechweb.com
www.novatechweb.com