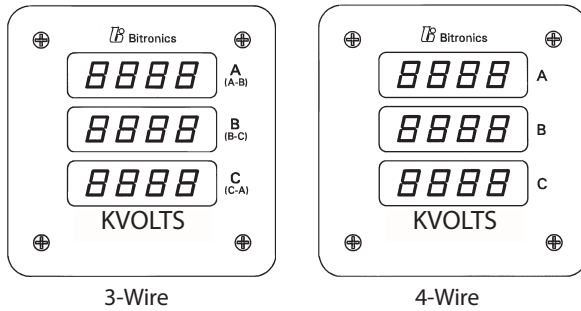


Voltmeter, 3-Phase



Measurement: True RMS Volts with three phases displayed simultaneously.

Voltage Inputs: Two or three inputs, transformer isolated (See selection table). Scaling is field selectable from built-in PT ratio library to display primary-side values when connected to PTs.

UL Certification: Meets IEC Standard 1010 and is certified by Underwriters Laboratory to meet UL and CSA standards. Requires either of the two ac-only power supply options.

Auxiliary Power: Three power supply options including a universal power supply option which operates from either ac or dc power source.

Transducer Output Option: Two output options, either option provides three output channels with each channel representing one phase of the True RMS Voltage measurement.

Mechanical: Three 4-digit, long life, red LED display, 0.56" high. Four inch round, 6.1" max. depth metal case with 4.5" sq. faceplate.

Quantity and Type of Inputs Selection Table		
Electric System	3-Wire	4-Wire
Base Model	VTAIE2	VTAIE1
Voltage Inputs	2 (L-L)	3 (L-N)

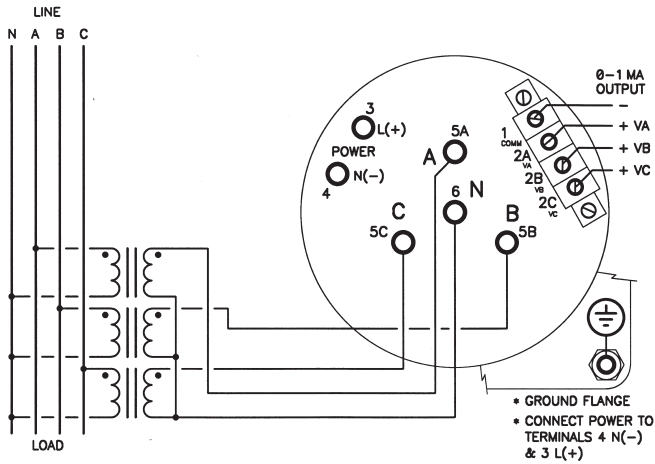
Note: Specify PT ratio if want preset at factory otherwise default (1:1) will be provided.

Note: Additional faceplate options are listed on the back. All black faceplate selections are a price adder.

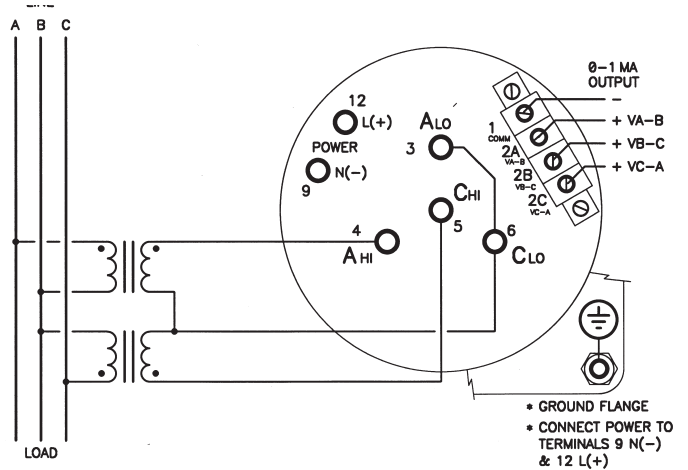
Order Number = Base Model + 6 Option Codes	
Select Base Model	
AC Connection	Base Model
3-Wire	VTAIE2
4-Wire	VTAIE1

Select New Option Codes			
Optional Functions	Price Adder	Old Option Codes	New Option Codes
Auxiliary Power			
115 V ac (UL certified)	NO	-VA2	0
230 V ac (UL certified)	NO	-VA1	1
24-250 V dc/115 V ac	YES	-VD4A	2
Transducer Output			
None	NO	-X	0
0-1 mA dc, active	YES	-C03	1
4-20 mA dc, passive	YES	-C43	2
Voltage Inputs			
0-120 V ac Nominal 3-Wire or 4-Wire	NO	-X	0
Display			
Standard LED	NO	N/A	0
Aluminum Faceplate			
Clear KVOLTS/A/B/C 4-Wire	NO	-FP003	03
Black KVOLTS/A/B/C 4-Wire	YES	-FP003B	G3
Clear KVOLTS/A-B/B-C/C-A 3-Wire	NO	-FP004	04
Black KVOLTS/A-B/B-C/C-A 3-Wire	YES	-FP004B	G4
Frequency			
60 Hz	NO	-X	00
50 Hz	NO	-F5	10

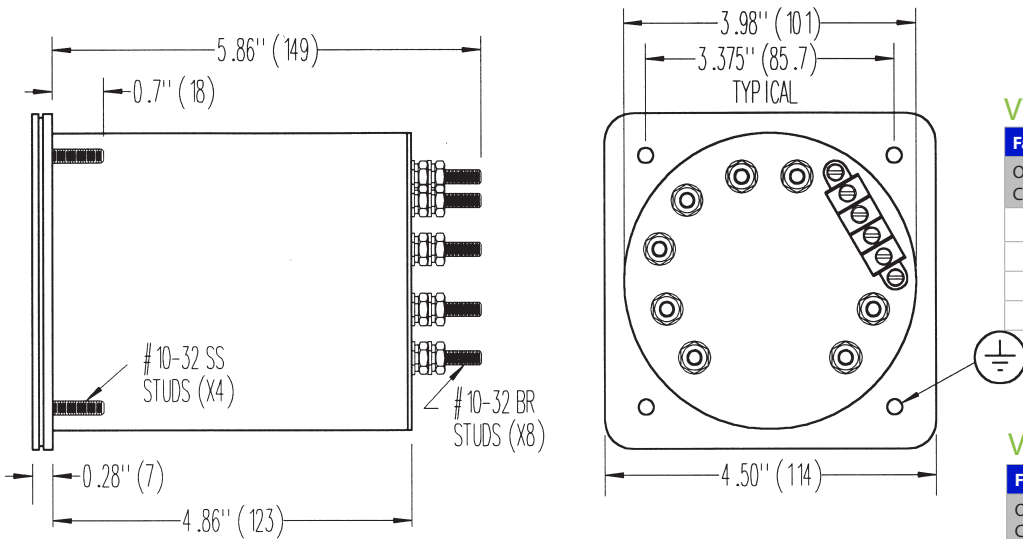
Build order number by choosing base model number and then one new option code selections for each option type. An example: VTAIE121000300



Typical connection diagram for 4-Wire volt meter, model VTAIE1.



Typical connection diagram for 3-Wire volt meter, model VTAIE2.



Overall Dimensions

VTAIE1 4-Wire System

Faceplate Legend Library				
Option Code	Legend	New Option Code		
		Clear	Black	
FP003	KVOLTS/A/B/C	03	G3	
FP180	KVOLTS/1/2/3	5L	ML	
FP182	VOLTS/A/B/C	5N	MN	

VTAIE2 3-Wire System

Faceplate Legend Library				
Option Code	Legend	New Option Code		
		Clear	Black	
FP004	KVOLTS/A-B/B-C/C-A	04	G4	
FP181	KVOLTS/1-2/2-3/3-1	5M	MM	
FP183	VOLTS/A-B/B-C/C-A	5P	MP	

Contact:

NovaTech, LLC
Bitronics Measurement and Recording
261 Brodhead Road
Bethlehem, PA 18017

T: 610.997.5100
F: 610.997.5450
E: bitronics@novatechweb.com
www.novatechweb.com