

**Measurement:** Volts, Amps, Power (real, reactive, apparent), Power Factor, Energy, and Frequency. Includes many per-phase & total parameters.

**Local Indication:** Display as many as 28 electric parameters in 17 screens with up to three display values per screen. All three values of 3-Phase parameters are simultaneously displayed. Includes automatic display of engineering units in separate display.

**Serial Port:** One Modbus Plus™ network-connection. All parameters available in network-accessible registers.

**Display Modes:** Fixed, Scroll, and Fast Forward. Enable/Disable displayable screens via push-button with all network register parameters always available.

**Current Inputs:** Full transformer isolation. (See Selection Table). Scaling is field selectable from built-in CT ratio library to display primary-side values when connected to CTs. Custom ratios can be written over the network.

**Voltage Inputs:** Full transformer isolation. (See Selection Table). Scaling is field selectable from built-in PT ratio library to display primary-side values when connected to PTs. Custom ratios can be written over the network.

**UL Certification:** Meets IEC1010 and is certified by Underwriters Laboratory to meet UL and CSA standards. Requires either of the two ac-only power supply options.

**Auxiliary Power Supply:** Three power supply options. Includes a universal power supply option which operates from either an ac or dc power source.

**Mechanical:** Three 4-digit, long life, red LED displays, 0.56" high. One 8-character red LED alphanumeric display. 4" round x 6.8" deep case. 4.5" Sq. faceplate.

## RT with Modbus Plus

### Order Number = Base Model + 6 Option Codes

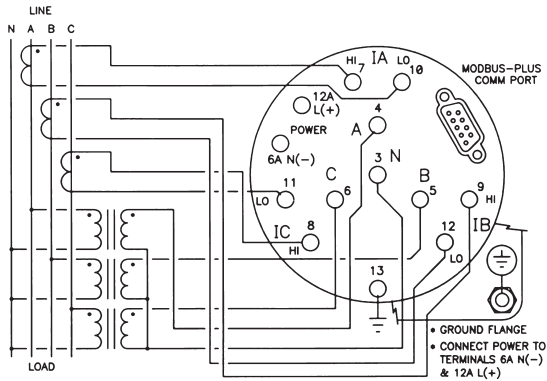
Select Base Model	
AC Connection	Base Model
3-Wire, 2-Element	MTWIE5B
4-Wire, 2½-Element	MTWIE6B
4-Wire, 3-Element	MTWIE4B

Select New Option Codes			
Optional Functions	Price Adder	Old Option Code	New Option Code
<b>Auxiliary Power</b>			
115 V ac (UL certified)	NO	-VA2	0
230 V ac (UL certified)	NO	-VA4	1
24-250 V dc/115 V ac	YES	-VD4A	2
<b>Network Connections</b>			
Modbus Plus	NO	-X	0
<b>Current &amp; Voltage Inputs</b>			
0-5 A ac and 120 V ac	NO	-X-X	0
0-1 A ac and 120 V ac	NO	-CI1-X	1
<b>Display</b>			
Standard LED	NO	N/A	0
<b>Aluminum Faceplate</b>			
Clear 3-Wire	NO	-X	1P
Black 3-Wire	YES	-B1	HP
Clear 4-Wire	NO	-X	1N
Black 4-Wire	YES	-B1	HN
<b>Frequency</b>			
60 Hz	NO	-X	00
50 Hz	NO	-F5	10

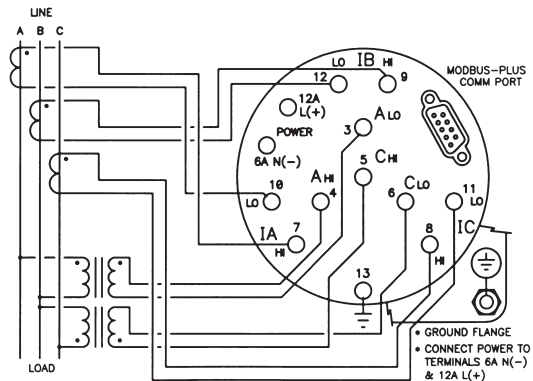
Build order number by choosing base model number and then one new option code selection for each option type. An example: MTWIE4B20001N00

Quantity and Type of Inputs Selection Table				
Electric System	3-Wire		4-Wire	
	Elements	2	2 ½	3
Base Model	MTWIE5B	MTWIE6B	MTWIE4B	
Current Inputs	2 or 3	3	3	
Voltage Inputs	2 (L-L)	2 (L-N)	3 (L-N)	

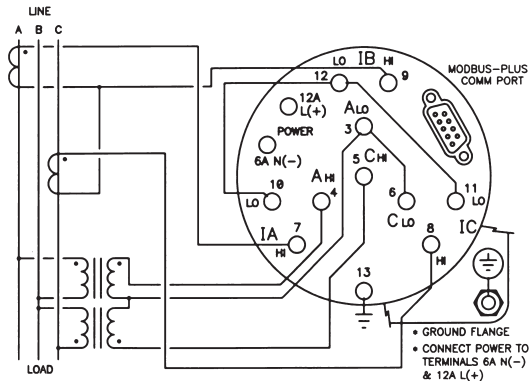
Note: Specify CT and PT ratios if want preset at factory otherwise defaults (5:5 CT and 1:1 PT) will be provided.



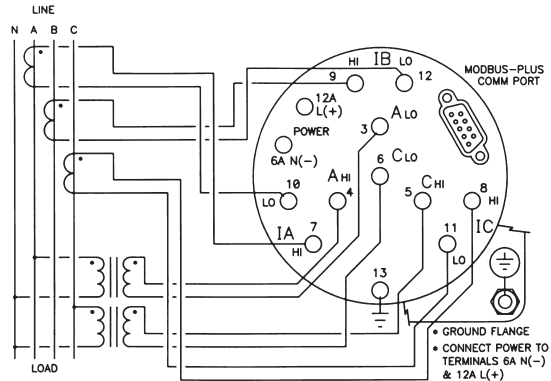
Typical connection diagram for 3-Element MTWIE4B Multifunction Meters (Common PT return shown)



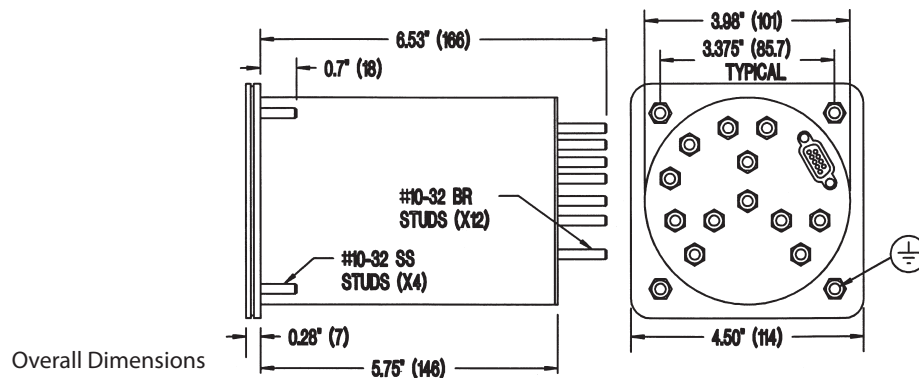
Typical connection diagram for 2-Element MTWIE5B Multifunction Meters



Typical connection diagram for 2-Element MTWIE5B Multifunction Meters when only two CT's are available (Common PT return shown)



Typical connection diagram for 2½-Element MTWIE6B Multifunction Meters (Separate PT return shown)



**Contact:**